

The Slasher (with excavator mount) is a slashing attachment for excavators which can be used for the effective cutting and clearing of grass and low ground shrubbery.

## Features:

- Heavy duty excavator mount
- Twin blade, dual rotation, single cutting bar
- Available widths: 1000mm, 1250mm, 1500mm, 1800mm
- Chain curtain for debris suppression - New legislation
- Adjustable cutting height between 40 and 140mm
- Heavy duty construction - built for Australian conditions
- Also available for: mini loaders, skid steer loaders, tractors
- Rounded side skids for smoother manoeuvrability over uneven terrain



## Accessories:

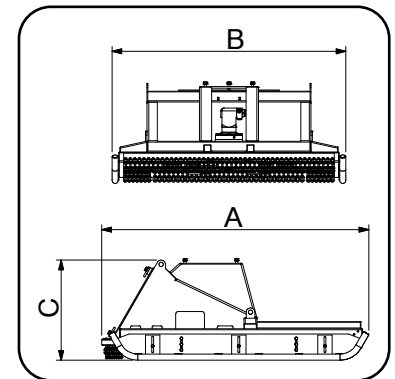
Comes complete with hoses, couplers and hitch to suit your excavator. Optional multifit or side shift frame available to suit skid steer loaders

## Ideal Use:

Landscaping, agriculture, roadway maintenance, general slashing, park maintenance

## Machine Suitability:

Available to fit excavators up to 8t and standard skid steer loaders



Specifications	1000mm	1250mm	1500mm	1800mm
Machine Suitability	Excavator Up to 2T	Excavator Up to 5T	Excavator Up to 8T	Excavator Up to 8T
Weight	215 Kg	295 Kg	395 Kg (No mount)	470 Kg (No mount)
Length	1373 mm	1700 mm	1860 mm	2115 mm
Width (Overall)	1193 mm	1443 mm	1630 mm	1930 mm
Height	579 mm	600 mm	635 mm	665 mm
Max Pressure	240 bar	240 bar	240 bar	240 bar

