

CLEANA ANGLE BROOM

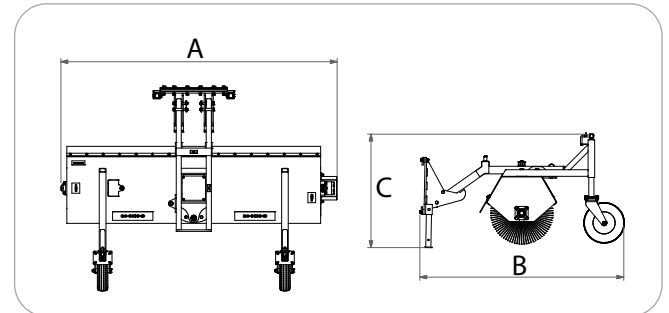
Digga Angle Broom is the ideal attachment for sweeping up all kinds of debris in environments such as factories, car parks, road construction, large outdoor venues and various agricultural and construction uses. Australian designed and Manufactured.



Features:

- Quick adjust support legs
- Heavy duty adjustable jockey wheel
- Bidirectional slew 15° or 30° from centre
- Well proven durable design
- Replaceable 1 piece poly brush
- Range of sizes available: 1800, 2000, 2400, and High Flow
- Manual pivot and hydraulic pivot available
- Complete with hoses, couplers and compatible frame to suit Skid Steer Loader

(Front end loaders and tele-handlers incur additional price for frame)



Machine suitability:

Skid Steer loaders, Front End loaders, Tele-handlers, and High Flow Machines.

Ideal Use:

Sweeps all kinds of debris in environments such as factories, car parks, road construction, large outdoor venues and various agricultural and construction uses.



Specifications	1800	2000	2500	1800 HF	2000 HF	2500 HF
A Width (overall)	2020mm	2220mm	2720mm	2150mm	2350mm	2850mm
B Depth (overall)	2150mm	2150mm	2150mm	2150mm	2150mm	2150mm
C Height (overall)	1116mm	1116mm	1116mm	1116mm	1116mm	1116mm
Broom width (when angled at 15°)	1738mm	1931mm	2318mm	1738mm	1931mm	2318mm
Broom width (when angled at 30°)	1558mm	1732mm	2078mm	1558mm	1732mm	2078mm
Max Flow (LPM)	30-75	30-75	30-75	75-230	75-230	75-230
Max Pressure (BAR)	205	205	205	240	240	240