



Digga's Horizontal Borer for Mini Loaders has a horizontal head which drops below ground level for under road boring or reaming.

### Features:

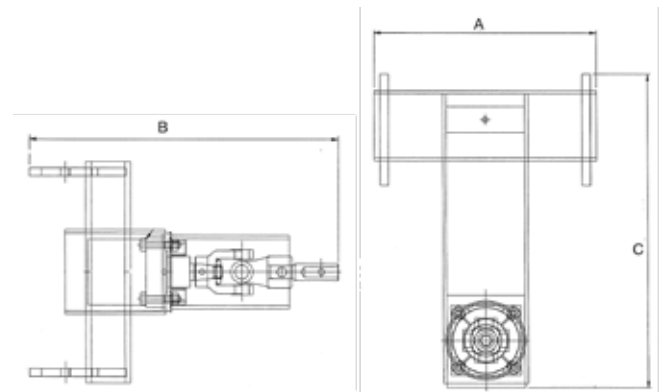
- Eliminates pavement removal for pipe and cable laying.
- Custom Horizontal Borers enable stacking of augers.
- 1200mm, 1500mm, and 1800mm Continuous Flighted Augers.
- 2 Removable pilot options for the augers, 80mm in diameter and 90mm in diameter.
- Auger diameter options; 65mm, 80mm, and 95mm.
- Joiner and 'D' Clip available for easy connection of the augers.

### Ideal Use:

Under Road Boring and reaming for installation of pipes and cables.

### Machine Suitability:

Mini Stand on machines with multifit frame



Specifications	
Max Flow - Do not exceed	45 lpm
Max Pressure - Do not exceed	220 bar
B Depth (overall)	590 mm
A Width (overall)	425 mm
C Height (overall)	604 mm
Weight	46 kg
Shaft Size	1.1/8" Hex
Recommended Auger	Continuous Flight Augers